

**B.M.S INPUT - OUTPUT MODULES**  
**8 STAGE RELAY, SEQUENCE 0-10VDC**

E8RM

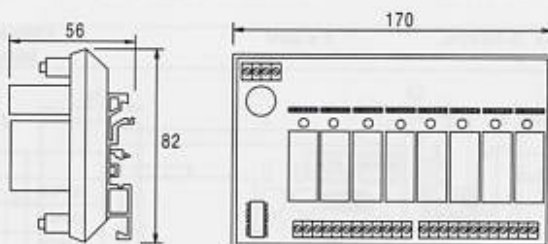
These units accept a 0-10vdc input and produce an 8 stage relay output which can be used for external plant switching. Suitable for staging or sequencing operation. For multi-stage heating & cooling, two of these units or other relay modules can be used with the E13.. temperature controllers or similar.



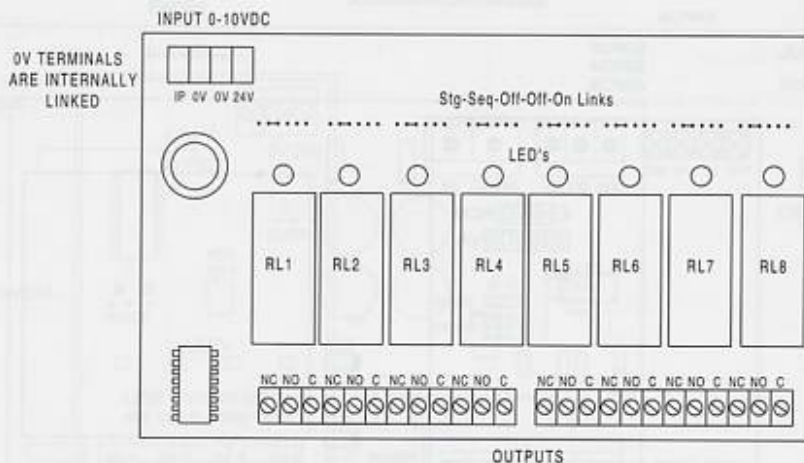
ON-OFF-AUTO Manual Override links on each relay: -  
 STG = Staging operation  
 SEQ = Sequence operation  
 OFF = De-energised  
 OFF = De-energised  
 ON = Energised  
 Volt free contacts LED's indicate relay status  
 Din-Rail mounting  
 Input current > 1mA  
 Max Ambient -10 /+50 C  
 Flammability = UL94-V0

Type	Supply ±15%	Input Signal	Switch Rating 230VAC SPDT	Consumption	Compatibility	Protection
E8RM	24VAC/DC	0-10VDC	8 x 10(3)A	250mA	Most BMS Controllers	IP00

**DIMENSIONS:**



**WIRING:**



**INSTALLATION:**

**STAGED MODE**

Relays 1-8 switch on as the input signal increases.

INPUT	RLY 1	RLY 2	RLY 3	RLY 4	RLY 5	RLY 6	RLY 5	RLY 6
0v	OFF	OFF	OFF	OFF	OFF	OFF	OFF	OFF
1.2v	ON	OFF	OFF	OFF	OFF	OFF	OFF	OFF
2.4v	ON	ON	OFF	OFF	OFF	OFF	OFF	OFF
3.6v	ON	ON	ON	OFF	OFF	OFF	OFF	OFF
4.8v	ON	ON	ON	ON	OFF	OFF	OFF	OFF
6.0v	ON	ON	ON	ON	ON	OFF	OFF	OFF
7.2v	ON	ON	ON	ON	ON	ON	OFF	OFF
8.4v	ON	ON	ON	ON	ON	ON	ON	OFF
9.6v	ON	ON	ON	ON	ON	ON	ON	ON

**SEQUENCED MODE**

Only one relay is on at any time.

INPUT	RLY 1	RLY 2	RLY 3	RLY 4	RLY 5	RLY 6	RLY 5	RLY 6
0v	OFF	OFF	OFF	OFF	OFF	OFF	OFF	OFF
1.2v	ON	OFF	OFF	OFF	OFF	OFF	OFF	OFF
2.4v	OFF	ON	OFF	OFF	OFF	OFF	OFF	OFF
3.6v	OFF	OFF	ON	OFF	OFF	OFF	OFF	OFF
4.8v	OFF	OFF	OFF	ON	OFF	OFF	OFF	OFF
6.0v	OFF	OFF	OFF	OFF	ON	OFF	OFF	OFF
7.2v	OFF	OFF	OFF	OFF	OFF	ON	OFF	OFF
8.4v	OFF	OFF	OFF	OFF	OFF	OFF	ON	OFF
9.6v	OFF	OFF	OFF	OFF	OFF	OFF	OFF	ON

Relays can be operated in various combinations of these modes if required.

All values are maximum switching points. Exact switching points may be slightly lower than those stated.

Terminals 0.5-2.5mm rising clamps Min sensor / control signal cable size 7/0.2mm Max length 100m. Screened cable is recommended. The screen should be earthed at controller end only Keep sensor/control signal wires away from power cables/units which may cause interference.